

PRODUCT INFORMATION PACKET

Model No: 5KH33JNA511T

Catalog No: HG710

1/2 HP General Purpose Motor, 1 phase, 1800 RPM, 115 V, 48Z Frame, ODP
General Purpose Motors



Regal and Marathon are trademarks of Regal Rexnord Corporation or one of its affiliated companies.
©2021 Regal Rexnord Corporation, All Rights Reserved. MC017097E



Nameplate Specifications

Output HP	0.50 Hp	Output KW	0.37 kW
Frequency	60 Hz	Voltage	115 V
Current	7.9 A	Speed	1725 rpm
Service Factor	1	Phase	1
Efficiency	0 %	Duty	Continuous
Insulation Class	B	KVA Code	N
Frame	48Z	Enclosure	Drip Proof
Thermal Protection	AUTO	Ambient Temperature	40 °C
Drive End Bearing Size	6203	Opp Drive End Bearing Size	6203
UL	Recognized	CSA	Yes
CE	N	Number of Speeds	1

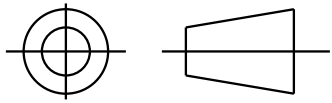
Technical Specifications

Electrical Type	Split Phase	Starting Method	SM
Poles	4	Rotation	Counterclockwise/Clockwise
Mounting	Resilient Base	Motor Orientation	ANY
Drive End Bearing	BALL	Opp Drive End Bearing	Ball
Frame Material	Rolled Steel	Overall Length	9.93 in
Frame Length	5.41 in	Shaft Diameter	0.500 in
Shaft Extension	2.25 in		
Connection Drawing	52A105379AA	Outline Drawing	52A106661P5

This is an uncontrolled document once printed or downloaded and is subject to change without notice. Date Created:10/06/2021

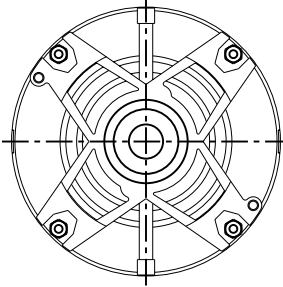
SHEET 1
REV 7
52A106661

THIRD ANGLE PROJECTION

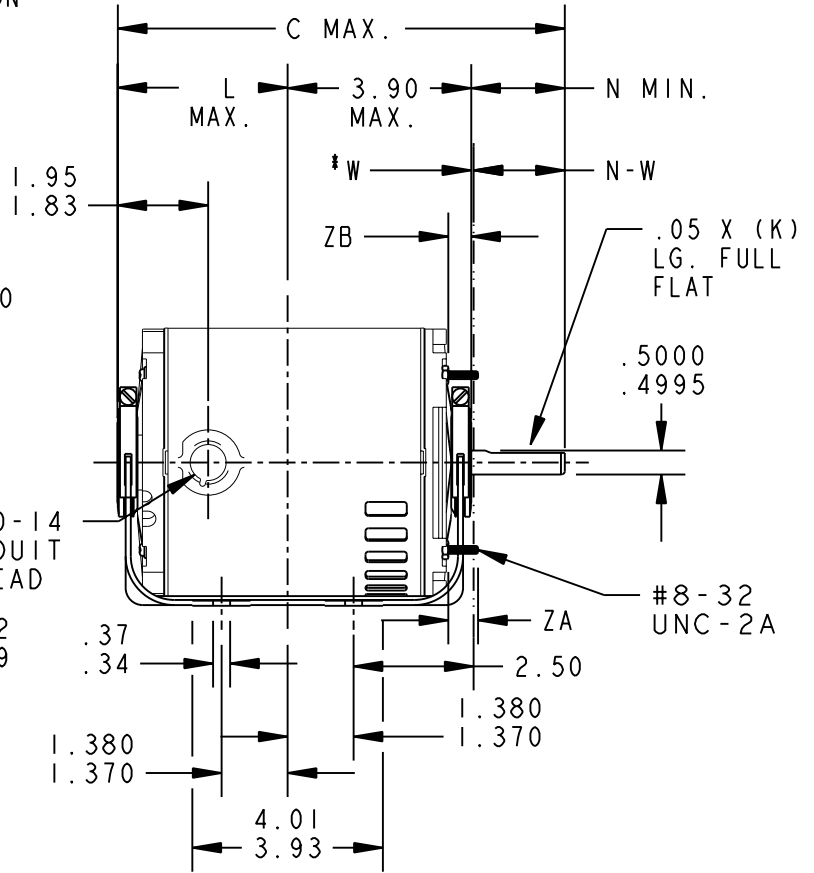
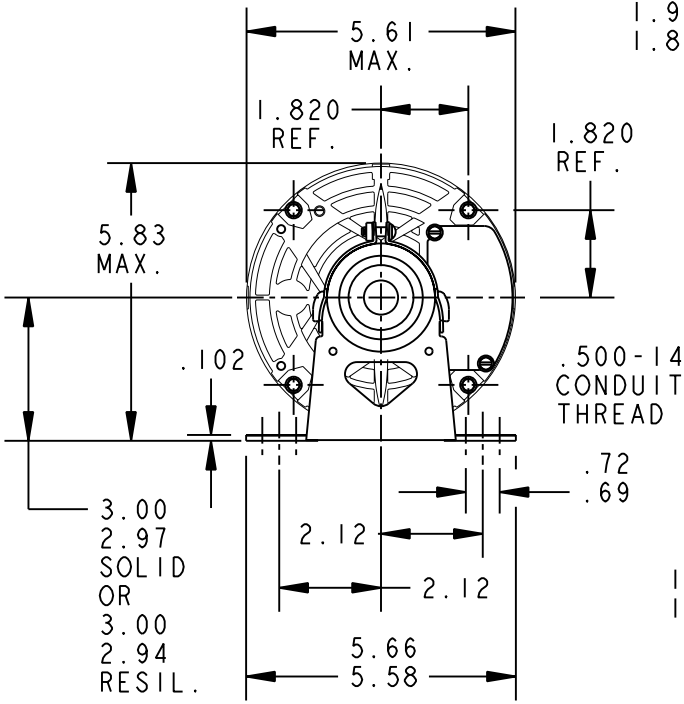


REVISIONS

REV.	DESCRIPTION	DATE	APPROVED
5	ADDED PT#5, UPDATED SHELL VENTS	01/14/94	M.D.PAPE
6	ADDED PART #6.	11/09/95	M.D.PAPE
7	CHG TO RBC FORMAT PER ISO5-1777	02/13/06	SUDHA



VIEW SHOWING P.E. VENTILATION OPENINGS



6	KH	35	48	9.56	1.16	4.22	1.50	1.63/1.41	.55/.52	.50
5	KH	33	48Z	9.93	1.91	3.84	2.25	2.38/2.16	.55/.52	.90
4	KH	32	48	8.93	1.16	3.59	1.50	1.63/1.41	.55/.52	.62
3	KH	36	48	9.99	1.16	4.65	1.50	1.63/1.41	.55/.52	.50
2	KH	32	48Z	9.94	1.91	3.59	2.25	2.38/2.16	.55/.52	.62
1	KH	32	48Z	9.32	1.54	3.59	1.88	2.01/1.79	.55/.52	.62
P	TYPE	GE SIZE	NEMA FR	C	K	L	N	N-W	ZB	ZA

W# IS A CLEARANCE DUE TO VARIATION IN PARTS AND ASSEMBLY.

FOR ADDITIONAL INFO REFER TO: APPLIED PRACTICES DIMENSIONS ARE IN INCHES ✓ MATERIAL	SIGNATURES		DATE	<p>REGAL-BELOIT CORPORATION</p> <p>TITLE</p> <p>OUTLINE</p> <p>FORM N - GENERAL PURPOSE MOTOR - DRIP PROOF - SOLID OR RESIL. BASE - BALL OR SLEEVE BEARING</p> <p>SCALE: 0.250 REF. No: .</p>
	MODEL D.A.BAESKE		07/05/88	
	DETAIL		.	
	CHECKED		.	
	ENGRG		.	
MFG		.		
QUALITY		.		
ISSUED B.L.J.		06/04/92		
SOLID MODEL: 52A106661				

52A106661 REV 7

SHEET 1 of 1

